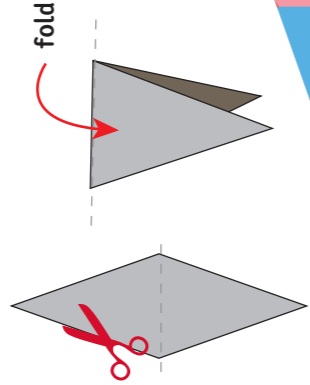


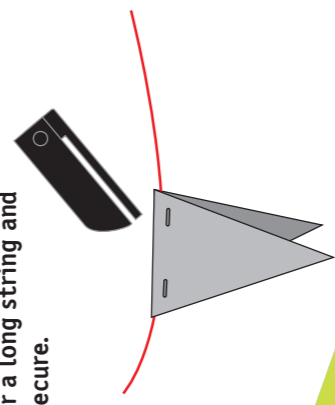
**BUNTING**  
Print on A3 card - 200gsm is ideal!



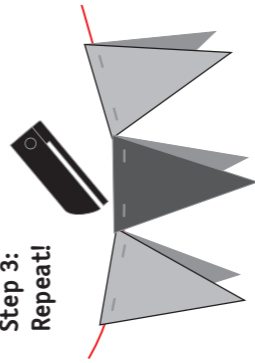
**Step 1:**  
Cut out diamond shapes and fold along dotted line.



**Step 2:**  
Thread over a long string and staple to secure.



**Step 3:**  
Repeat!



**Step 4:**  
Hang and have fun!

